



For Security
Vari-Focal

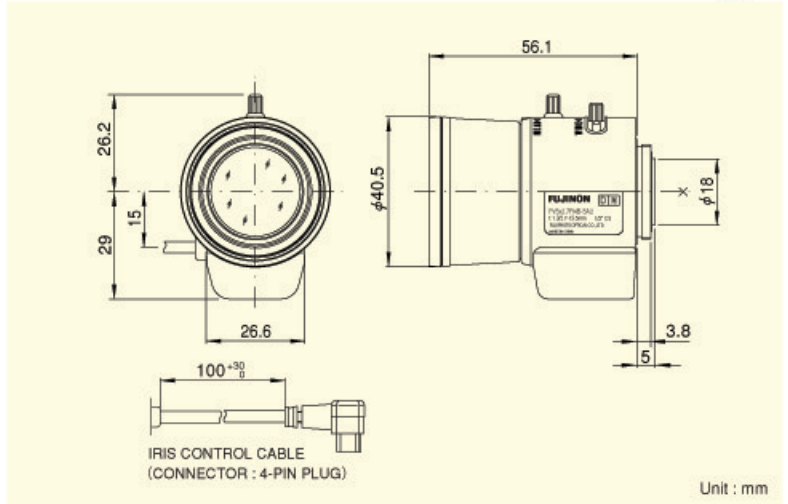
YV5×2.7R4B-SA2

Applicable camera (model)

1	2/3	1/2	1/3	1/4
---	-----	-----	-----	-----

VARI Vari-Focal	WIDE Wide Angle	TELE Telephoto Long Focal	Day~Night Day & Night	DC DC Auto Iris	CS-mt CS Mount	METAL Metal Mount
ND ND Filter	230 Long Cable	AT Aspherical Lens	F1.3 Wide Aperture Rate			

5×

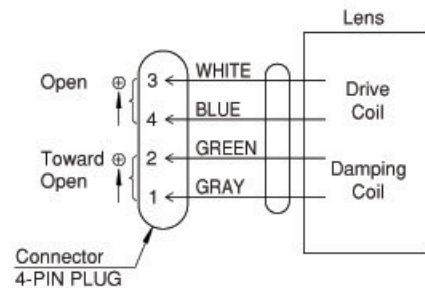


- Advanced design engineering and special optic glass adopted, best suited for color, monochrome and day and night cameras
- Wide range of f2.7-13.5mm, supporting various applications
- Wide aperture of F1.3, optimizing the performance at low lighting intensity
- High accuracy aspheric lens adopted, achieving the high quality image
- Built-in ND filter of T360, supporting super sensitive cameras

VARI-FOCAL LENSES

Focal Length (mm)		2.7~13.5 (5×)	
Iris Range		F1.3 ~ T360 (Equivalent to F360)	
Operation	Zoom	Manual	
	Focus	Manual	
Angle Of View (H×V)	1/3"	WIDE	99°42' × 74°17'
		TELE	20°37' × 15°30'
	1/4"	WIDE	74°17' × 55°26'
		TELE	15°30' × 11°38'
Focusing Range (From Front Of The Lens) (m)		∞ ~ 0.3	
Object Dimensions at M.O.D. (H×V) (mm)	1/3"	WIDE	741 × 473
		TELE	115 × 86
	1/4"	WIDE	473 × 328
		TELE	86 × 64
Back Focal Distance (in air) (mm)		8.91	
Exit Pupil Position (From Image Plane) (mm)		96	
Filter Thread (mm)		—	
Mount		CS	
Mass (g)		70	
Coil Resistance		Drive Coil	200Ω
		Damping Coil	720Ω
Current Consumption		22mA (Max.) at DC 4V	
Remarks		<ul style="list-style-type: none"> • With Metal Mount (*1) When power is turned off, iris will automatically be closed. YV5×2.7R4B-SA2L : Long Cable Type (230mm)	

Wiring



Redwood Electronics Corporation