



**For Security**  
**Vari-Focal**

# YV10×5B-SA2

Applicable camera (model)

1	2/3	1/2	1/3	1/4

**VARI**  
Vari-Focal

**WIDE**  
Wide Angle

**TELE**  
Telephoto  
Long Focal

**DC**  
DC Auto Iris

**CS-mt**  
CS Mount

**METAL**  
Metal Mount

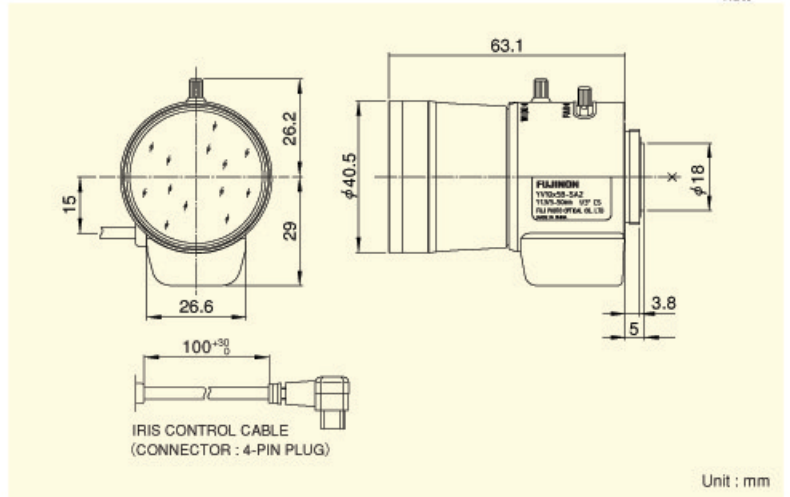
**ND**  
ND Filter

**230**  
Long Cable

**AT**  
Aspherical Lens

**F1.3**  
Wide Aperture  
Rate

10×

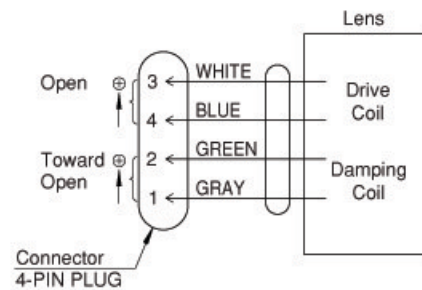


- Telephoto, wide range vari-focal lens with the horizontal field angle of 51-5 degrees (when used on 1/3 cameras)
- Wide range of f5-50mm, supporting various applications
- Wide aperture of F1.3, optimizing the performance at low lighting intensity
- Built-in ND filter of T360, supporting super sensitive cameras

VARI-FOCAL LENSES

Focal Length (mm)		5~50 (10×)	
Iris Range		F1.3 ~ T360 (Equivalent to F360)	
Operation	Zoom	Manual	
	Focus	Manual	
	Iris	Auto (DC Type) (*1)	
Angle Of View (H×V)	1/3"	WIDE	51°59' × 39°12'
		TELE	5°24' × 4°05'
	1/4"	WIDE	39°12' × 29°30'
		TELE	4°05' × 3°05'
Focusing Range (From Front Of The Lens) (m)		∞ ~ 0.3	
Object Dimensions at M.O.D. (H×V) (mm)	1/3"	WIDE	315 × 230
		TELE	62 × 47
	1/4"	WIDE	230 × 170
		TELE	47 × 35
Back Focal Distance (in air) (mm)		10.83	
Exit Pupil Position (From Image Plane) (mm)		292	
Filter Thread (mm)		—	
Mount		CS	
Mass (g)		100	
Coil Resistance		Drive Coil	200Ω
		Damping Coil	720Ω
Current Consumption		22mA (Max.) at DC 4V	
Remarks	• With Metal Mount (*1) When power is turned off, iris will automatically be closed. YV10×5B-SA2L : Long Cable Type (230mm)		

### Wiring



*Redwood Electronics Corporation*

711 Summer St. Eureka, CA 95501 800-227-1768 Fax 707-443-2418 www.redwoodelectronics.com

**FUJINON** CCTV LENS